

1750i PVC

The Future of Fume Extraction

**3-Phase
Supply**



Epoxy coated to prevent corrosion

FEATURES

- Clear & informative graphic display
- Highest grade HEPA and carbon technology
- Automatic electronic flow control - maintains a constant extraction rate even as the filter blocks
- Gas and particle sensors to warn the operator
- Adjustable airflow

SPECIFICATIONS

Voltage	400v
Part Number	0PV2010D
Wattage	3kW
Frequency	50Hz / 60Hz
Cabinet Height	1400mm
Cabinet Width	725mm
Cabinet Depth	726mm
Cabinet Weight	170Kg
Sound Level	60dBa
Airflow	1750m3/h

INCLUDED AS STANDARD...

FILTERS



**Main Filter
Code**
110616-PVC

Description
HEPA/Chemical



**Pre-filter
Code**
110617

Description
Granular Pad PVC



**Pre-filter
Code**
111037

Description
F6 Labyrinth



**Pre-filter
Code**
200056

Description
Chemical
Absorbant Pad

Find out more:

 www.purex.co.uk

 purex@purex.co.uk

 **+44 (0)1405 746030**

Connection kits are available

Machine Supplied With • 1 x Main Filter • 3 x Pre-filters • 1 x 4.5m Fixed Power Cable (no plug) • 1 x Manual

OPTIONS

Pre-filter

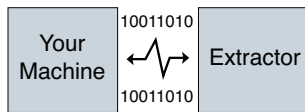
Code:
111099

Description:
F8/F9 Labyrinth

Connection Kits

Please contact Purex or your representative for PVC connection kits

Interfacing

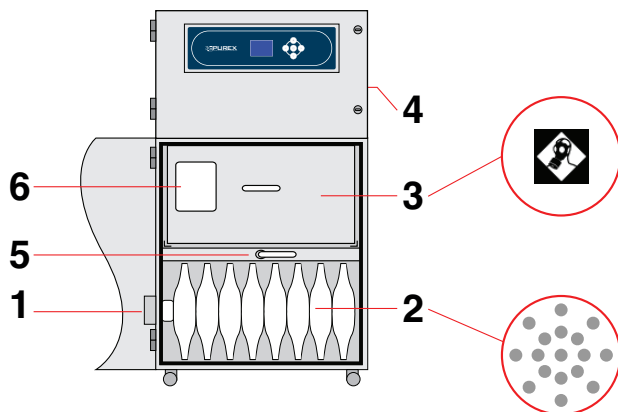


Interfacing can remotely start the Purex machine when the connected machine starts.

Interfacing can also warn the connected machine when the Purex machine is in alarm.

Take a look through our Interfacing Guide to see our extensive range of options

TECHNICAL



LEGEND:

1. Air inlet - 150mm safe seal
2. Pre-filter Labyrinth bag
4. Main filter (carbon location)
5. Clean air returned to the workplace
6. Filter locking handles
7. Filter identification labels