

Accessories



Connection Kits

PUREX MACHINE INLET DIAMETERS

- 40mm - 2tiP
- 57mm - FumeCube
- 75mm - FumeBuster
- 80mm - I50, 200, 400, 200i, 400i, 200i-HP, 400iPVC Alpha, Alpha Dust, Xbase, FumeCube Max, FumeSafe
- 100mm - 800i
- 150mm - I500i, 2000i
- 200mm - 5000i

??mm

?.?m

??mm

Diameter of pipe/port

Length of hose

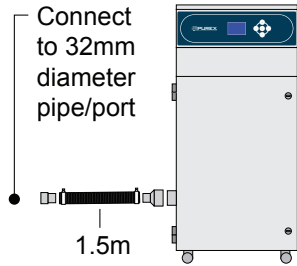
Purex machine inlet diameter

32mm

1.5m

80mm

Connect to 32mm diameter pipe/port



Code: 100170

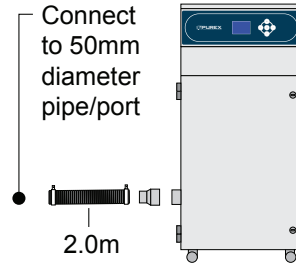
- 1 x 80-34mm reducer
- 1 x 1.5m x 41mm flexible hose
- 2 x Half straight connector
- 2 x 35-50mm hose clips

50mm

2.0m

80mm

Connect to 50mm diameter pipe/port



Code: 100180

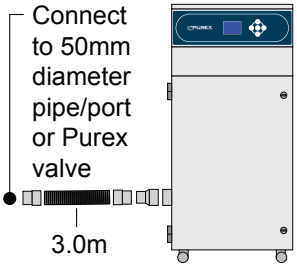
- 1 x 80-53.5mm reducer
- 1 x 2m x 57mm flexible hose
- 2 x 45-60mm hose clips

50mm

3.0m (Anti Static)

80mm

Connect to 50mm diameter pipe/port or Purex valve



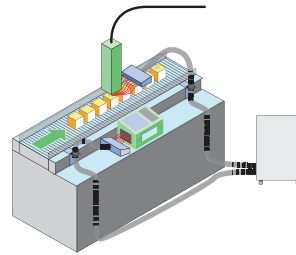
Code: 100026

- 1 x earth strap 6mm
- 1 x 80mm to 51mm reducer
- 1 x 3m x 50mm antistatic hose
- 2 x 51mm antistatic cuffs

50mm

Twin Head AntiStatic

80mm



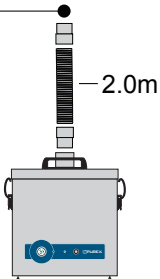
These are bespoke kits. An example is shown on the left. Contact us for more information.

50mm

2.0m

57mm

Connect to 50mm diameter pipe/port or Purex valve



Code: 120117

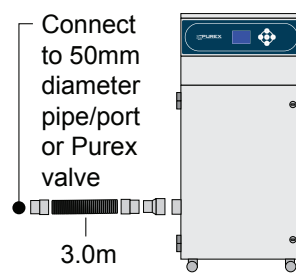
- 1 x 2m x 51mm flexible hose
- 2 x 51mm cuffs

50mm

3.0m

80mm

Connect to 50mm diameter pipe/port or Purex valve



Code: 100032

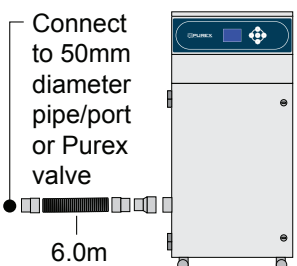
- 1 x 80-51mm reducer
- 1 x 3m x 51mm flexible hose
- 2 x 51mm cuffs

50mm

6.0m

80mm

Connect to 50mm diameter pipe/port or Purex valve



Type Code:

Std 100043

PVC* 100043C

- 1 x 80-51mm reducer
- 1 x 6m x 51mm flexible hose
- 2 x 51mm cuffs

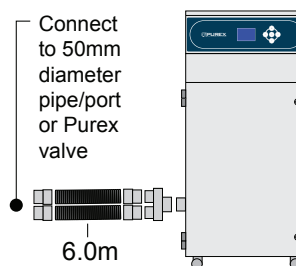
* coated reducer suitable for PVC applications

50mm

6.0m (Dual Manifold)

80mm

Connect to 50mm diameter pipe/port or Purex valve




Code: 100039*

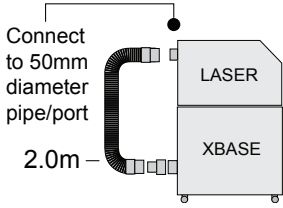
- (Use with 100043 or 100043C)
- 1 x dual manifold assembly(120093C)
- 1 x 6m x 51mm flexible hose
- 2 x 51mm cuffs

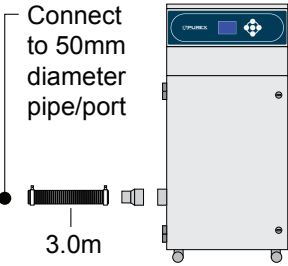
* also suitable for PVC applications.

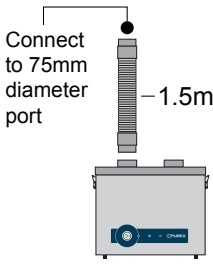


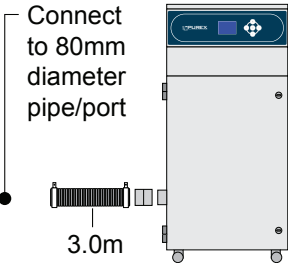
Connection Kits

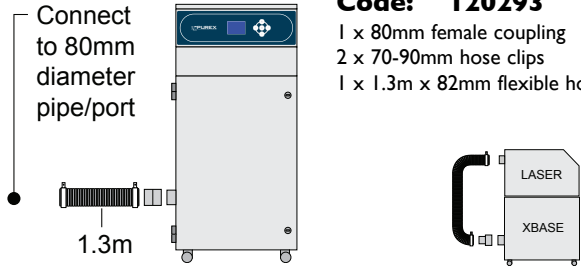
50mm	6.0m (Extension)	50mm
 <p>Code: 100037* 1 x 50mm coupling 1 x 6m x 51mm flexible hose 2 x 51mm cuffs</p> <p>* also suitable for PVC applications.</p>		

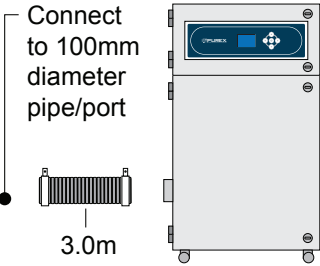
50mm	2.0m	80mm
 <p>Code: 100019 1 x 80-51mm reducer 1 x 2m x 51mm flexible hose 2 x 51mm cuffs</p>		

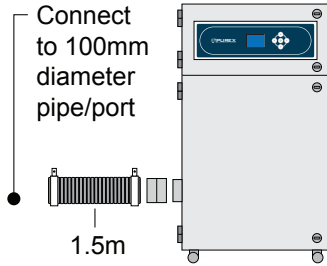
50mm	3.0m	80mm
 <p>Code: 120285 1 x 80-53 mm reducer 1 x 3m x 57mm flexible hose 2 x 45-60mm hose clips</p>		

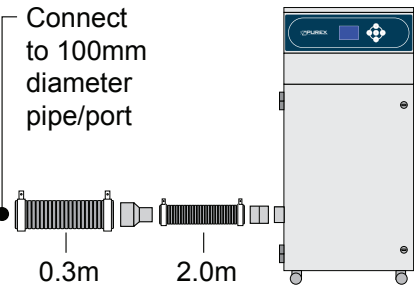
75mm	1.5m	75mm
 <p>Code: 100185 2 x 85-75mm reducer 1 x 1.5m x 75mm flexible hose</p>		

80mm	3.0m	80mm
 <p>Code: 120299 1 x 80mm female coupling 1 x 3m x 82mm flexible hose 2 x 70-90mm hose clips</p>		

80mm	1.3m	80mm
 <p>Code: 120293 1 x 80mm female coupling 2 x 70-90mm hose clips 1 x 1.3m x 82mm flexible hose</p>		

100mm	3.0m	100mm
 <p>Code: 100107* 1 x 3m x 100mm flexible hose 2 x 90-120mm hose clips</p> <p>* suitable for PVC</p>		

100mm	1.5m	100mm
 <p>Code: 120270 1 x 100mm female coupling 1 x 1.5m x 100mm flexible hose 2 x 90-120mm hose clips</p>		

100mm	2.3m	80mm
 <p>Code: 120288 1 x 80mm female coupling 2 x 70-90mm hose clips 1 x 2m x 82mm flexible hose 1 x 100-80mm reducer 1 x 0.3m x 100mm flexible hose 2 x 90-120mm hose clips</p>		



Connection Kits

??mm	?.?m	??mm
Diameter of pipe/port	Length of hose	Purex machine inlet diameter

100mm	1.3m	80mm
<p>Code: I20292</p> <ul style="list-style-type: none"> 1 x 80mm female coupling 2 x 70-90mm hose clips 1 x 1m x 82mm flexible hose 1 x 100-80mm reducer 1 x 0.3m x 100mm flexible hose 2 x 90-120mm hose clips 		

100mm	3.0m (Dual)	100mm
<p>Code: I20291</p> <ul style="list-style-type: none"> 1 x 100mm female coupling 1 x 100mm equal tee 2 x 3m x 102mm flexible hose 4 x 90-120mm hose clips 		

100mm	3.0m (Dual)	150mm
<p>Code: I20287</p> <ul style="list-style-type: none"> 1 x 150mm female coupling 1 x 150mm equal tee 2 x 150 female couplings 2 x 150-100mm reducers 2 x 90-120mm hose clips 2 x 3m x 102mm flexible hose 2 x 90-120mm hose clips 2 x 100mm female couplings 		

125mm	3.0m	80mm
<p>Code: I00171</p> <ul style="list-style-type: none"> 1 x 80mm female coupling 1 x 100-80mm reducer 1 x 3m x 100mm flexible hose 1 x 125-100mm reducer 1 x 125mm female coupling 2 x 90-120mm hose clips 		

125mm	3.0m	100mm
<p>Code: I00172</p> <ul style="list-style-type: none"> 1 x 100mm female coupling 1 x 125-100mm reducers 1 x 3m x 125mm flexible hose 2 x 135-160mm hose clips 		

150mm	1.5m	150mm
<p>Code: I20280</p> <ul style="list-style-type: none"> 1 x 150mm female coupling 1 x 150mm male coupling 1 x 1.5m x 150mm flexible hose 2 x 135-160mm hose clips 		

150mm	3.3m	80mm
<p>Code: I20289</p> <ul style="list-style-type: none"> 1 x 80mm female coupling 2 x 70-90mm hose clips 1 x 3m x 82mm flexible hose 1 x 100-80mm reducer 1 x 0.3m x 100mm flexible hose 2 x 90-120mm hose clips 1 x 150-100mm reducer 1 x 0.3m x 150mm flexible hose 2 x 135-160mm hose clips 		

150mm	3.25m	100mm
<p>Code: I20294</p> <ul style="list-style-type: none"> 1 x 100mm female coupling 1 x 100mm equal tee 4 x 90-120mm hose clips 2 x 3m x 100mm flexible hose 2 x 150-100mm reducers 2 x 0.25m x 150mm flexible hose 4 x 135-165mm hose clips 		

200mm	1.0m	200mm
<p>Code: SPECIAL</p> <ul style="list-style-type: none"> 1 x 200mm female coupling 1 x 200mm male coupling 1 x 1m x 200mm flexible hose 2 x 200mm hose clips 		



Pipe & Duct



Plastic Pipe Ø 32mm		Plastic Pipe Ø 50mm		Plastic Pipe Ø 82mm	
3.0m straight pipe 500050 - Grey 500055 - Black ABS		3.0m straight pipe 520000 - Grey 520300 - Black ABS		3.0m straight pipe 530110 - Grey	
Straight connector 500060 - Grey 500065 - Black ABS		Straight connector 520020 - Grey 520330 - Black ABS		Straight connector 530170	
45° bend 500070 - Grey		45° bend 520070 - Grey		45° bend single socket 530180	
90° bend 500080 - Grey 500090 - Black ABS		90° bend 520080 - Grey 520130 - Black ABS		90° bend single socket 530190	
Swept 'T' 500100 - Grey 500110 - Black ABS		Swept 'T' 520120 - Grey 520320 - Black ABS		Swept 'T' 530210	
End blank 500120 - Grey 500130 - Black ABS		End blank 520170		Socket plug 530220	
Pipe clip 500180		Pipe clip 520180		Pipe clip 530120	
		Pipe reducer (50-32mm) 520150		Pipe reducer (82-50mm) 530200	
				82mm Strap boss 530160	
				50mm Boss adaptor 530150	

	Steel Duct Ø 100mm	Steel Duct Ø 150mm	Steel Duct Ø 200mm
	3.0m spiral pipe 540100	3.0m spiral pipe 540300	3.0m spiral pipe 540600
	90° bend 540133	90° bend 540345	90° bend 540620
	45° bend 540130	45° bend 540333	45° bend 540622
	30° bend 540129	30° bend 540328	
	Equal 'T' 540145	Equal 'T' 540337	Equal 'T' 540630
	End cap 540161	End cap 540400	End cap 540402
	'U' bracket saddle 540190	'U' bracket saddle 540450	'U' bracket saddle 540891
	Butterfly valve 540185	Butterfly valve 540440	Butterfly valve 540439
	Pipe reducer (100mm-80mm) 540150	Pipe reducer (150mm-100mm) 540382	Pipe reducer (200mm-150mm) 540640
	ENERGY Valve - Alternating Shut Off (100mm) Special		ENERGY Valve - Alternating Shut Off (200mm) 540684











Arms & Accessories



38mm x 1m Stainless Steel Flexible Arm Kit

	<p>Capture Apparatus Included</p> <ul style="list-style-type: none"> 1 x 38mm x 1m stainless steel flexible arm with fixed pen nib nozzle 1 x Support collar and valve 1 x Screwed bench bracket 1 x 51mm x 2m flexible hose with 2 connecting cuffs <p>Replacement parts available if required.</p>		<p>Capture Apparatus Included</p> <ul style="list-style-type: none"> 1 x 38mm x 1m stainless steel flexible arm (includes 1 x Support collar and valve) 1 x Clamped bench bracket 1 x Pen-nib nozzle (38mm ID) 1 x Conical cowl (95mm ID) 1 x 51mm x 2m flexible hose with 2 connecting cuffs <p>Replacement parts available if required.</p>
<p>Code: 100294</p>		<p>Code: 100295</p>	



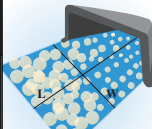
38mm Spares and Accessories

Capture Apparatus (Optional)			
	<p>Clear hood cowl (265 x 310mm) Code: 840160</p>		<p>Pen Nib Nozzle (38mm ID) Code: 840170</p>
	<p>Delta cowl (192 x 5mm inlet) Code: 840182</p>		<p>Conical Cowl (95mm ID) Code: 840190</p>
Fittings (Optional)			
	<p>Screwed bench bracket Code: 840200</p>		<p>Clamped bench bracket Code: 120180</p>
	<p>Wall bracket Code: 840210</p>		<p>Bench support collar and valve Code: 840047</p>

Replacement 38mm x 1m Stainless Steel Flexible Arm

	<p>Build</p> <p>This is a high quality stainless steel replacement arm to fit plastic push fit system arms.</p> <ul style="list-style-type: none"> 1 x 38mm x 1m stainless steel flexible arm 1 x Pen-nib nozzle (38mm ID) or 1 x Conical cowl (38mm ID) 1 x Tapered fitting 	
<p>Pen Nib Type Code: 120143</p>		<p>Conical Cowl Type Code: 120144</p>

Plenum Cows

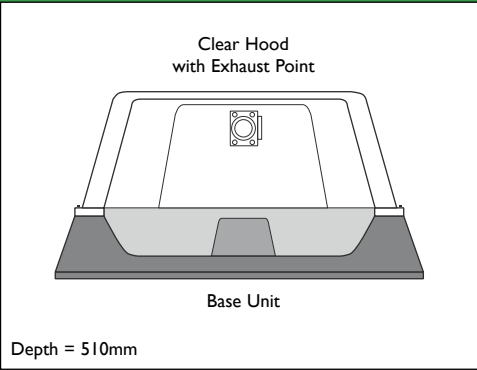
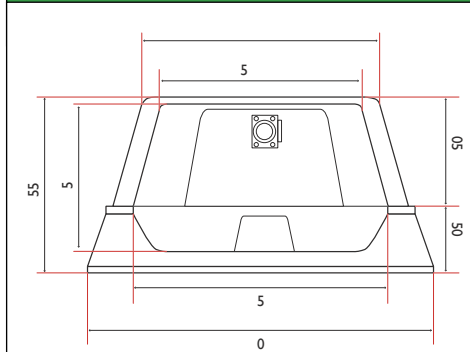
	<p>Plenum cowl Anti static polycarbonate (black) Includes 57mm airflow valve Code: 120703</p>			<p>Plenum cowl Anti static polycarbonate (clear) Includes 57mm airflow valve Code: 120704</p> <p>Max W x L 300 x 400mm</p>
--	--	---	---	--

Connection kits with 51mm cuffs are suitable for 57mm valves



Arms & Accessories

CleanCab Enclosed Extraction Unit



Complete Kit		Hood Only		Base Only	
	Includes: Base Open Hood 57mm Airflow valve Code: 840150		Includes: Open Hood 57mm Airflow valve Code: 840159		Includes: Base Code: 840152
	Includes: Base Open Hood 75mm Exhaust port Code: 840155		Includes: Open Hood 75mm Exhaust port Code: 840171		Includes: Downdraught Base Perforated steel plate Code: 840161
	Includes: Downdraught Base Perforated steel plate Open Hood Code: 840164		Includes: Open Hood Code: 840151		

Connection kits with 51mm cuffs are suitable for 57mm valves - for 75mm exhaust port use kit 100185

Clean Air Feed

Free Clean Air

- Purex machines produce very clean air from the exhaust so why not use it?
- This replacement exhaust cowl can be used to supply clean air to equipment such as lasers, ovens and more...

Machine Range:	Code:
200/400, 200i/400i	190040
800i	190039
1500i/2000i	640002



Dual Inlet Manifold

Connect two hose to one machine.

Manifold:	Code:
Aluminium Manifold	120093
Coated Aluminium Manifold	120093C

for corrosive fumes.



(1 x 80mm to 2 x 50mm inlets)

Large Flexible Arms - Call



Digital 400 machines and above only

Compressors

30 PSI / 2.1 bar

Compressor:	Code:
Free standing	100284
Integrated*	100283

* 200i/400i/Alpha/Xbase





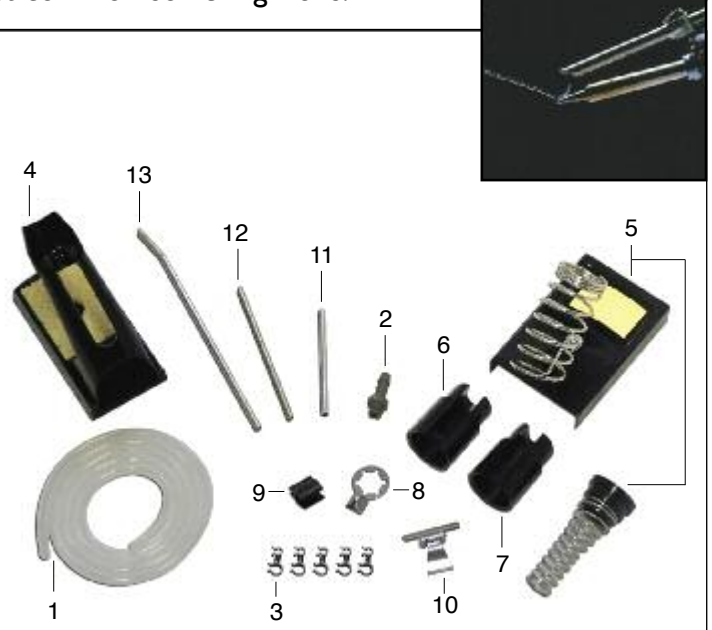
Tip Kits & Accessories

Universal - Soldering Iron Kit

Allows an extraction tube to be fitted to most common soldering irons.

- 1) 1 x 1.5m x 6mm ID x 1.5mm wall clear silicone hose (560030)
- 2) 1 x screw in adaptor (8mm hose, M10) (580010)
- 3) 5 x 8mm Ø hose clips (580525)
- 4) 1 x universal iron stand (830007)
- 5) 1 x soldering iron stand (830008)
- 6) 1 x cup standard iron (830000)
- 7) 1 x cup metcal iron (830005)
- 8) 1 x extraction tube clip weller (830040)
- 9) 1 x extraction tube clip metcal/mini weller (830050)
- 10) 1 x extraction tube clip universal (830065)
- 11) 1 x 6mm Ø x 100mm extraction tube weller (830110)
- 12) 1 x 6mm Ø x 135mm extraction tube metcal (830112)
- 13) 1 x 6mm Ø x 225mm extraction tube universal (830135)

Code: **300001**



Specific - Soldering Iron Kits

Allows an extraction tube to be fitted to specific soldering irons.

<p>Metcal iron kit 100075</p> <p>1 x extraction tube clip 830050 1 x 6mm Ø x 135mm extraction tube 830112 1 x 1.5m x 6mm ID x 1.5mm wall clear silicone hose 560030 5 x hose clips 580525 Universal iron stand 830007 1 x screw in adaptor (M10) 580010</p>		<p>Large Weller iron adaptor kit 100070</p> <p>1 x extraction tube clip 830041 1 x 7mm Ø x 150mm extraction tube 830115 1 x 1.5m x 6mm ID x 1.5mm wall clear silicone hose 560030 5 x hose clips 580525 1 x soldering iron stand 830008 1 x cup 830002 1 x screw in adaptor (M10) 580010</p>	
<p>Antex/Ersa iron kit 100085</p> <p>1 x extraction tube clip 830050 1 x extraction tube clip 830065 1 x 6mm Ø x 225mm extraction tube 830135 1 x 1.5m x 6mm ID x 1.5mm wall clear silicone hose 560030 5 x hose clips 580525 Universal iron stand 830007 1 x screw in adaptor (M10) 580010</p>		<p>Pace iron adaptor kit 100072</p> <p>1 x extraction tube clip 830065 1 x 6mm Ø x 100mm extraction tube 830110 1 x 1.5m x 6mm ID x 1.5mm wall clear silicone hose 560030 5 x hose clips 580525 1 x soldering iron stand 830008 1 x cup 830002 1 x screw in adaptor (M10) 580010</p>	
<p>Mini Weller iron kit 100065</p> <p>1 x extraction tube clip 830050 1 x 6mm Ø x 135mm extraction tube 830112 1 x 1.5m x 6mm ID x 1.5mm wall clear silicone hose 560030 5 x hose clips 580525 1 x soldering iron stand 830008 1 x cup 830005 1 x screw in adaptor (M10) 580010</p>		<p>Hakko iron adaptor kit 100030</p> <p>2 x extraction tube clip 830050 1 x 6mm Ø x 225mm extraction tube 830136</p>	
<p>Standard Weller/RS/Adcola iron kit 100060</p> <p>1 x extraction tube clip 830040 1 x 6mm Ø x 100mm extraction tube 830110 1 x 1.5m x 6mm ID x 1.5mm wall clear silicone hose 560030 5 x hose clips 580525 1 x soldering iron stand 830008 1 x cup 830000 1 x screw in adaptor (M10) 580010</p>			



Tip Kits & Accessories

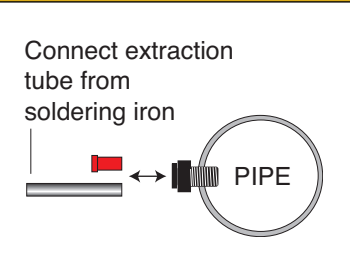
These optional kits allow the user to quickly and simply detach the soldering iron from the extraction system. The options are:

- To detach the iron from the main pipework.
- To detach the iron from trunking on the bench.
- To detach the iron from an ON/OFF tap.

Use with Soldering Iron Kits shown on previous page.

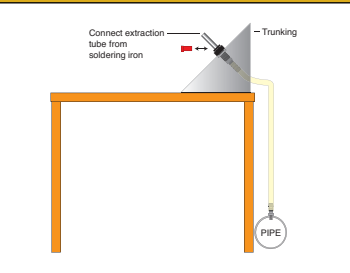
Optional - Quick Release Kit

1 x Adaptor 8mm hose 1/4BSP	(580070)
1 x 8mm red blank	(580130)
1 x Adaptor tube 8mm x 65mm	(580300)
Code: 100100	



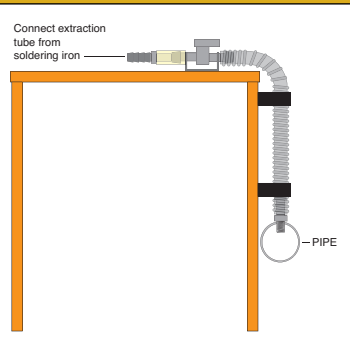
Optional - Trunking Connector Kit (Quick Release)

1 x Adaptor tube 8mm x 65mm	(580300)
1 x 8mm red blank	(580130)
1 x Trunking connector (8mm)	(580190)
1 x 8mm Connector hose stem	(580210)
1 x 1.5m x 6mm ID x 1.5mm wall clear silicone hose	(560030)
1 x screw in adaptor (8mm hose, M10)	(580010)
Code: 100090	



Optional - ON/OFF Tap Kit (Quick Release)

1 x 8mm Connector hose stem	(580210)
1 x 0.04m x 8mm ID x 2mm wall clear silicone hose	(560060)
1 x ON/OFF tap bracket	(580090)
4 x Screws	
1 x ON/OFF tap	(580080)
1 x 1m x 13mm flexihose	(570000)
2 x Hose clip 15mm	(580500)
1 x Adaptor 12mm hose 3/8BSP	(580035)
Code: 300002	



Optional - Tube Cleaning Brushes

Tube cleaning brushes	
5mm bronze	830200
Airflow meter	
5-50 l/min	330200
10-100 l/min	330201





Machine Interfacing

4 way Mini Bulgin

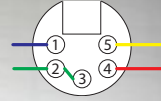


Code: 105097 (5M cable)

ALARM
PINS 1 + 2 = VOLT FREE ALARM OUTPUT CONTACTS

REMOTE START
VOLT FREE CONTACTS REQUIRED TO OPERATE
PIN 3 = REMOTE START INPUT SIGNAL
PIN 4 = +12V DC

5 way XLR Neutric

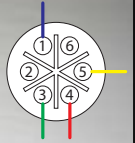


Code: 105105 (5M cable)

ALARM
PINS 1 + 4 = VOLT FREE ALARM OUTPUT CONTACTS

REMOTE START
VOLTAGE SIGNAL REQUIRED TO OPERATE
PIN 2+3 (LINKED) = REMOTE START INPUT SIGNAL
PIN 5 = 0V DC

6 way Bulgin

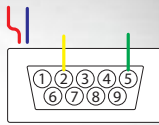


Code: 105103 (5M cable)

ALARM
PINS 1 + 4 = VOLT FREE ALARM OUTPUT CONTACTS

REMOTE START
VOLT FREE CONTACTS REQUIRED TO OPERATE
PIN 3 = REMOTE START INPUT SIGNAL
PIN 5 = +12V DC
PIN 2 + 6 = NOT USED

9 way D-type



Code: 105106 (5M cable)

ALARM
NO ALARM OUTPUT

REMOTE START
VOLTAGE SIGNAL REQUIRED TO OPERATE
PIN 2 = 0V DC
PIN 3 = +12VDC / +24VDC REMOTE START INPUT SIGNAL

9 way D-type

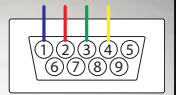


Code: 105107 (5M cable)

ALARM
PIN 3 = +12VDC / +24VDC ALARM OUTPUT

REMOTE START
VOLTAGE SIGNAL REQUIRED TO OPERATE
PIN 1 = REMOTE START INPUT SIGNAL
PIN 9 = 0V DC

9 way D-type

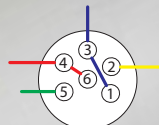


Code: 105104 (5M cable)

ALARM
PINS 1 + 2 = VOLT FREE ALARM OUTPUT CONTACTS

REMOTE START
VOLT FREE CONTACTS REQUIRED TO OPERATE
PIN 3 = REMOTE START INPUT SIGNAL
PIN 4 = +12V DC

6 way Lumberg

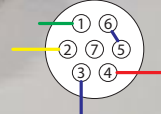


Code: 105096 (5M cable)

ALARM
PINS 1 + 6 = VOLT FREE ALARM OUTPUT CONTACTS
PINS 3 + 4 = VOLT FREE ALARM OUTPUT CONTACTS

REMOTE START
VOLTAGE SIGNAL REQUIRED TO OPERATE
PIN 5 = +12VDC / +24VDC REMOTE START INPUT SIGNAL
PIN 2 = 0V DC INPUT

7 way Lumberg



Code: 105098 (5M cable)

ALARM
PINS 3 + 4 = VOLT FREE ALARM OUTPUT CONTACTS

REMOTE START
VOLTAGE SIGNAL REQUIRED TO OPERATE
PIN 1 = +12VDC / +24VDC REMOTE START INPUT SIGNAL
PIN 2 = 0V DC INPUT
PIN 5 + 6 = LINKED
PIN 7 = NOT USED

No Connector



Code: 105108 (5M cable)

Yellow and green wires = remote start stop
Volt free contacts required to close these wires to start (+12VDC signal)

Red and blue wires = alarm signal
Output via a set of volt free contacts inside Purex extractor

Remote ON/OFF Switch



Code: 105114 (5M cable)

Now you can easily switch your Purex fume extractor on or off from up to 5m away. This is particularly useful if your fume extractor is tucked away under a bench or in a cupboard where it cannot easily be accessed. This feature is also useful if the work you do is not continuous e.g. intermittent hand soldering as you will be saving energy by turning the extractor off.






Power Plug Options

Note: A plug will be supplied to match the destination region on the order. E.g. an order to go to the UK will be supplied with a UK plug unless you request otherwise.

FumeCube (inc MAX), FumeBuster, FumeSafe, 2tiP and Captivair

Are supplied with a 2m long detachable cable with a choice of plug.

USA/ASIA 120V	UK	Europe	No Plug
			Bare wire only.
Code: 410125	Code: 410100	Code: 410127	Code: 410120

I50, 200/400, 200i/400i, 400iPVC, Alpha, Xbase

Are supplied with a 5m long detachable cable with a choice of plug.

USA/ASIA 120V	USA/ASIA 230V	UK	Europe
			
Code: 410160	Code: 410161	Code: 410162	Code: 410163
Australia	No Plug		
	Bare wire only.		
Code: 410164	Code: 410165		

800i, 1500i, 2000i, 5000i

Are factory fitted with a 5m long cable without a plug.

Electrical installations should only be carried out by a qualified person.