



FEATURES

- VariColour filter blocked warning system
- Highest grade HEPA and carbon technology
- Automatic electronic flow control - maintains a constant extraction rate even as the filter blocks
- Quiet in operation
- Simple to install and easy to relocate

SPECIFICATIONS

Voltage	230v	120v
Single Arm Part Number	072066	072067
Dual Arm Part Number	072065	072068
Wattage	0.14kW	0.32kW
Frequency	50Hz / 60Hz	50Hz / 60Hz
Cabinet Height	366mm	366mm
Cabinet Width	308mm	308mm
Cabinet Depth	294mm	294mm
Cabinet Weight	12kg	12kg
Sound Level	<60dBa	<60dBa
Airflow	170m3/h	170m3/h

INCLUDED AS STANDARD...

FILTERS



Main Filter
Code
110536

Description
HEPA/Chemical

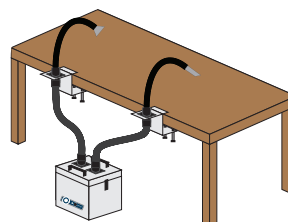


Pre-filter
Code
200036

Description
F5 Pad

CONNECTION KIT

Code: 100295



Included in each connection kit:
1 x 50mm x 2m flexible hose
2 x connecting cuffs
1 x clamped bench bracket
1 x 38mm stainless steel flexible arm
1 x 38mm pen nib
1 x 95mm conical cowl

Find out more:

 www.purex.co.uk

 purex@purex.co.uk

 **+44 (0)1405 746030**

OPTIONS

Main Filter



Code: 110537 110538 110543 110544	Description: Chemical HEPA/Chemical (Cleanroom) Solvent Lock Chemical Special
--	--

Pre-filter


Code: 200095 200045	Description: F6 F8/F9
----------------------------------	------------------------------------

Connection Kits

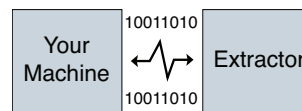
All connection kits include 50mm x 2m hose with connecting cuffs and arm valve

<p>38mm Code: 100293</p> <p>38mm flexible stainless steel arm with fixed 95mm conical cowl and screwed bench bracket</p> 	<p>38mm Code: 100294</p> <p>38mm flexible stainless steel arm with fixed pen nib and screwed bench bracket</p> 	<p>38mm Code: 100295ESD</p> <p>38mm flexible stainless steel arm with conical cowl, pen nib and clamped bench bracket - ESD</p> 
<p>38mm Code: 100295L</p> <p>38mm flexible stainless steel arm with fixed illuminated 95mm conical cowl and clamped bench bracket</p> 	<p>50mm Code: 100290</p> <p>50mm flexible stainless steel arm with fixed pen nib and clamped bench bracket</p> 	<p>50mm Code: 100292</p> <p>420mm x 320mm</p> <p>50mm flexible stainless steel arm with fixed large clear hood and clamped bench bracket</p> 
<p>50mm Code: 100297</p> <p>50mm flexible stainless steel arm with fixed 115mm conical cowl and clamped bench bracket</p> 	<p>50mm Code: 100297ESD</p> <p>50mm flexible stainless steel arm with fixed 115mm conical cowl and clamped bench bracket - ESD</p> 	<p>50mm Code: 100298</p> <p>50mm flexible stainless steel arm and clamped bench bracket</p> 
<p>50mm Code: 100299</p> <p>315mm x 265mm</p> <p>50mm flexible stainless steel arm with fixed clear hood cowl and clamped bench bracket</p> 	<p>50mm Code: 120117</p> <p>Includes ONLY: 2m x 50mm flexible hose with 2 connecting cuffs</p> 	

Replacement Arms

Code: 120128	Description: 38mm x 1.5m flexible stainless steel arm	
120129	38mm x 0.75m flexible stainless steel arm	
120199	38mm x 0.5m flexible stainless steel arm	

Interfacing



Interfacing can remotely start the Purex machine when the connected machine starts.

Interfacing can also warn the connected machine when the Purex machine is in alarm.

Take a look through our Interfacing Guide to see our extensive range of options



Purex International Limited
QWP House, Island Drive
Capitol Park, Thorne
Doncaster, UK
DN8 5UE